

SAGOLA



4600 XTREME



MAXIMUM EXPRESSION

*Passion for
the red color*

- + Compact
- + Light
- + Ergonomics
- + Speed

*New nozzle
High paint flow*

w w w . s a g o l a . c o m

NEW 4600 XTREME SPRAY GUN

SAGOLA presents its top technological expression in bodywork finishing spray guns. **Smaller, lighter, with optimal weight distribution** and more **comfortable**.

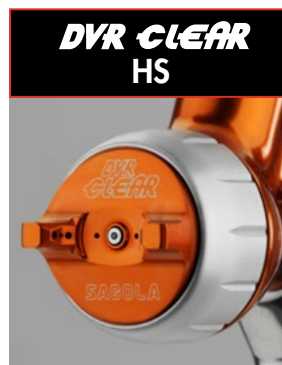
With a **new shiny and modern design** and most carefully **designed ergonomics** which offer enviable balance and usability and **perfect mechanisation**. SAGOLA tackles all present challenges of vehicle refinishing.

With this model SAGOLA offers the widest range of solutions for all the new paints launched by the main paint brands for refinishing.

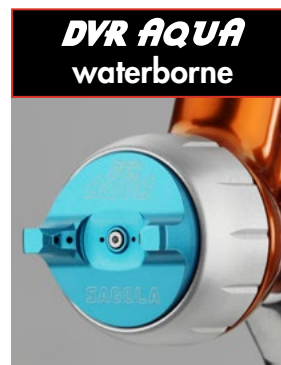
The **New 4600 XTREME** is launched with the highest SAGOLA manufacturing standards, competitive prices whilst maintaining a superb service and offering the **best warrantee** (3 years). All this with **strict compliance with the most demanding standards** of manufacture and emissions of solvents, with XTREME and XTREME HVLP systems.



Lacquers, clearcoats, basecoats



Top performance and gloss with clearcoats and single stage HS paints



Special for waterborne products, easy to apply even at high viscosities



Minimum mist, maximum savings and perfect colour matching

Professional SAGOLA solution for all finishing paints



- WATER-BASED
- METALLIC
- SILVER
- PEARL COATINGS

- LACQUERS
- CLEARCOATS
- SINGLE STAGE PAINTS
- MS AND HS



FUNCTIONAL ADVANTAGES

SAGOLA®

DESIGN, FINISH, SHEEN

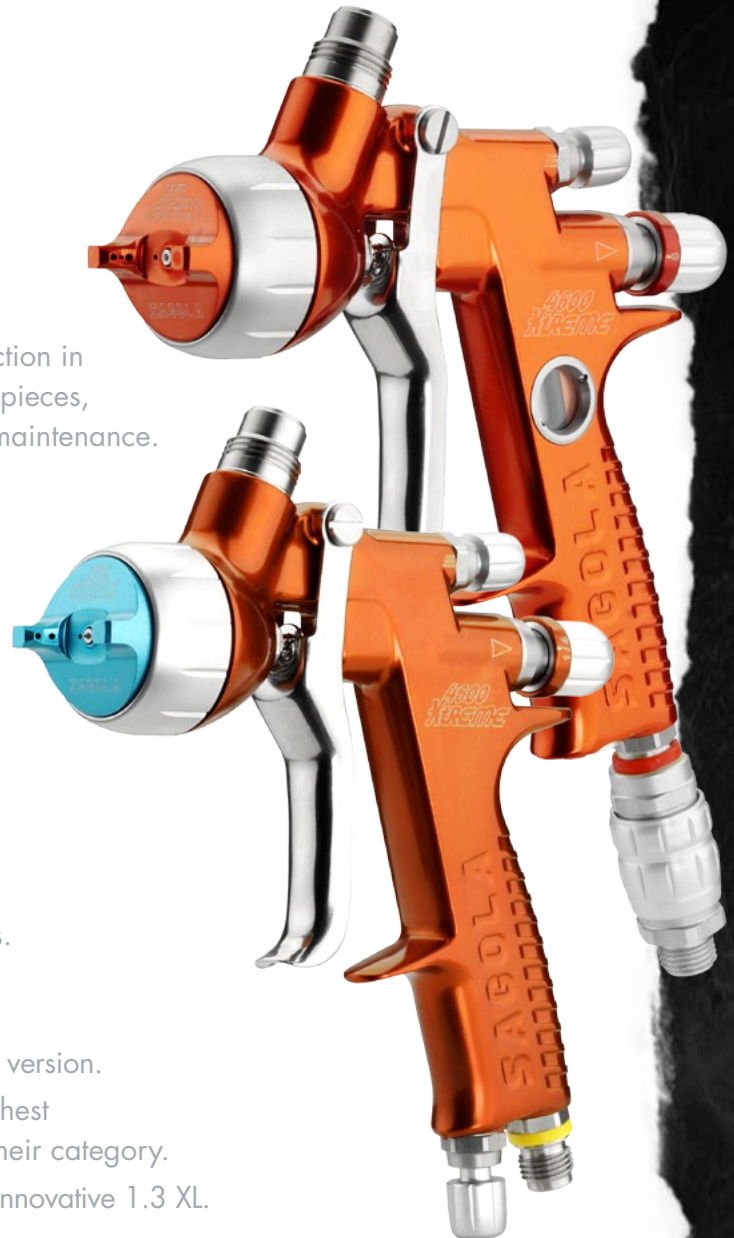
- The new image of polished forged anodized aluminium recovers the original SHEEN and COLOUR from SAGOLA bodywork with a MODERN DESIGN.
- At the forefront of ergonomics, balanced and comfort when painting.
- LIGHT and ROBUST, maintaining the construction in forged aluminium and stainless steel in all its pieces, giving it maximum robustness and minimum maintenance.
- EASY AND SMOOTH USE.

ECONOMIC CONSUMPTION OF PAINT

- HVLP aircaps with maximum savings and minimum mist.
- Xtreme aircaps with maximum performance regarding time and ease of application.

THE WIDEST RANGE OF SOLUTIONS

- Perfect COLOUR MATCHING with basecoats. The highest performance and gloss with clearcoats and HS single stage paints.
- **2 models:** DIGITAL and internal air regulator version.
- **4 aircaps:** to fit each need, offering the highest performance and lowest air consumption in their category.
- **New special nozzle** for HS clearcoats, the innovative 1.3 XL.



Maximum ergonomics, lightweight and easy to use.

In addition to the nozzle and needle, all parts in contact with the body are manufactured in stainless steel.

There are no O-rings. No gaskets between air and paint.

The painter can disassemble the whole paint area without manipulating any gaskets.

High-end aluminium air caps, with special mechanising that reduces the air rebounds on full body paint jobs.

Compliance with the strictest regulations concerning emissions of solvents.

APPROVED by the main paint brands

The most complete range of SOLUTIONS FOR THE CAR REFINISH

XTREME and XTREME HVLP systems: maximum product transfer 65 and 75%

1.2, 1.2XL, 1.3, 1.3 XL, and 1.4 mm stainless steel nozzles available.

HIGH-END
TECHNOLOGY

4600
XTREME

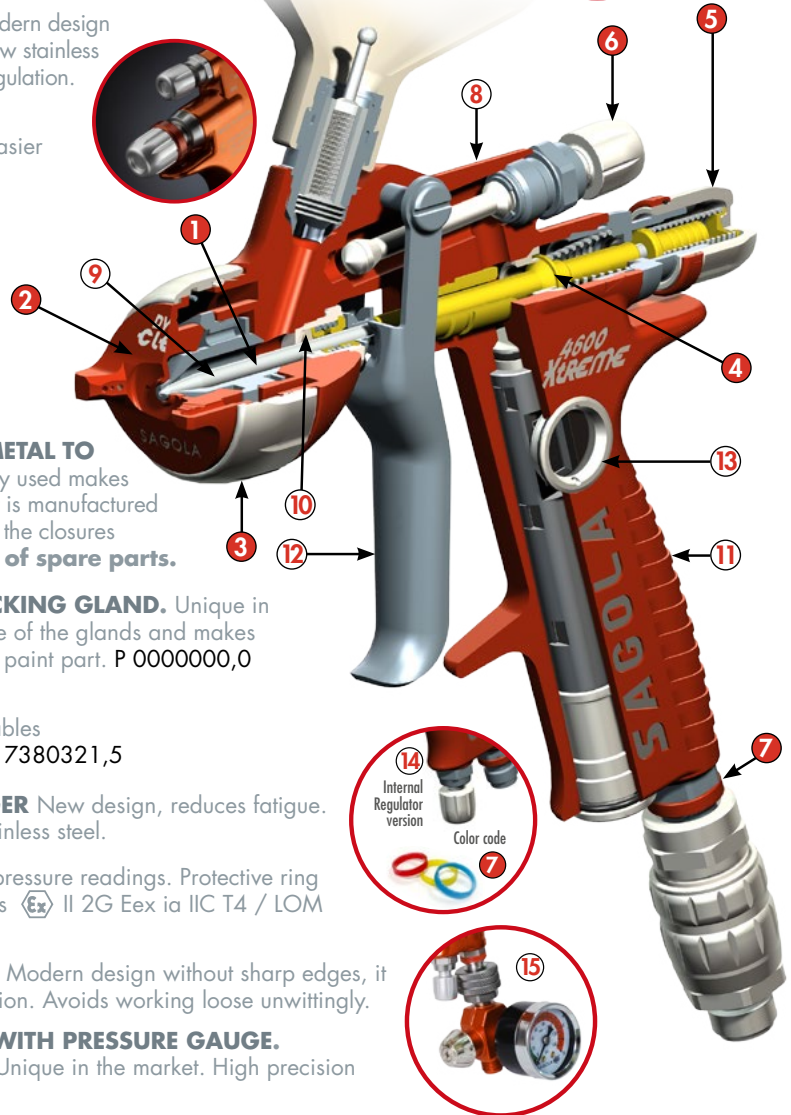
TECHNICAL ADVANTAGES

8 PATENTS IN
A SINGLE MODEL

4600 Xtreme

7 INNOVATIVE ADVANTAGES

- 1 NEW NOZZLES DV.** Made of stainless steel. High paint flow. Maximum speed of application. 15 - 20% higher product transfer.
- 2 NEW ALUMINUM AIRCAPS for HS and WATERBORNE.** DVR AQUA - DVR CLEAR - DVR HVLP - DVR TITANIA identified with different colors (COLOR SYSTEM). Ultra-fine paint particle size and bigger spray patterns. In the case of the hybrid ones they get higher transfer and greater efficiency, close to the maximum save of HVLP, with better spraying control. Efficient and safe for solvent or waterborne basecoat. Fast with clearcoat.
- 3 NEW AND REVOLUTIONARY AIR DISTRIBUTION SYSTEM.** Carried out at the tip of the air cap, it creates a finer and smoother spray. P 08380132.4 / MD 200701164
- 4 NEW PROGRESSIVE ACTION VALVE "SOFT FLOW".** Higher precision and smoothness, even with high air pressure.
- 5 NEW PRODUCT REGULATOR DESIGN.** Modern design without sharp edges, it makes easier cleaning. New stainless steel guide box. Built in vernier for precise flow regulation.
- 6 NEW SPRAY FAN REGULATOR DESIGN.** Modern design without sharp edges, it makes easier cleaning. With connection in stainless steel. With less travel and greater precision. Suitable for right and left handed.
- 7 NEW COLOR IDENTIFIER (COLOR CODE).** Perfect for differentiation spray guns when there are multiple painters.
- 8 BODY in highly resistant ANODIZED FORGED ALUMINIUM.** REGISTRO DC 924667-0004
- 9 AT THE VANGUARD OF TECHNOLOGY "METAL TO METAL".** The high-end mechanisation technology used makes it the only spray gun in the bodywork market that is manufactured without any kind of gasket, interior or exterior, at the closures between the air and paint. **Minimum number of spare parts.**
- 10 One single piece AUTOMATIC PAINT PACKING GLAND.** Unique in the market. It avoids manipulation and breakage of the glands and makes easier to remove it for a through cleaning of the paint part. P 0000000,0
- 11 ERGONOMIC DESIGN OF THE HANDLE.** Rounder, more ergonomic and comfortable. Enables perfectly balanced movements while painting. P 7380321,5
- 12 ERGONOMIC AND CONFORTABLE TRIGGER** New design, reduces fatigue. 100% stainless steel. New screw and soft in stainless steel.
- 13 DIGITAL PRESSURE GAUGE** High-precision pressure readings. Protective ring in stainless steel. Complies with ATEX regulations Ex II 2G Eex ia IIC T4 / LOM 05ATEX2091 / LOM 07ATEX9037. P 559018
- 14 HIGH-PRECISION AIR FLOW REGULATOR** Modern design without sharp edges, it makes easier cleaning. Higher regulation precision. Avoids working loose unwittingly.
- 15 Hand tightened AIR FLOW REGULATOR WITH PRESSURE GAUGE.** It does not need any tool to be set or removed. Unique in the market. High precision progressive adjustment. P 200100036



VERSIONS / TECHNICAL DATA



Version	Application	Pressure recommended
1.20XL	Low viscosity Clearcoats	2 -2.2 bar
1.30	Multiproduct, Clearcoats, Single Stage and Basecoats	2 -2.2 bar
1.30 XL	Clearcoats and Single Stage	2 -2.5 bar
1.40	Clearcoats, Single stage, Industrial bodyshop	2 -2.5 bar

Version	Application	Pressure recommended
1.20	Low viscosity Clearcoats	2 -2.2 bar
1.20XL	Low viscosity Clearcoats. Express drying	2 -2.2 bar
1.30	HS Clearcoats, Quality finishes	2 -2.2 bar
1.30 XL	Clearcoats and HS Single Stage. High speed	2 -2.5 bar
1.40	Clearcoats and HS Single Stage. Industrial Bodyshop	2 -2.5 bar

Version	Application	Pressure recommended
1.20	Waterborne paints. Low viscosity, min. consumption	1.8 -2 bar
1.20XL	Waterborne paints. Low viscosity, High humidity	1.8 -2 bar
1.30	Special Waterborne paints	1.8 -2 bar
1.30 XL	Waterborne paints, High speed	1.8 -2 bar

Version	Application	Pressure recommended
1.30	Water and solvent based basecoats. Minimum mist and Max. product saving	2 bar
1.30XL	Water and solvent based basecoats. High speed	2 bar
1.40	Water and solvent based basecoats, Clearcoats and Single Stage	2 bar

TECHNICAL DATA

- **Weight without cup:** (DIG) 494 g. / (IR) 482 g.
- **Dimensions Digital:** 36.5 x 10.6 x 17 cm.
- **Dimensions Internal Reg.:** 33.5 x 10.6 x 17 cm.
- **Air inlet coupling:** 1/4"
- **Minimum product transfer:** 65% / 75%
- **Maximum working inlet pressure:** 2.2 bar

- **Air consumption:**
DVR TITANIA: 315 L/min DVR HVLP: 450 L/min
DVR CLEAR: 295 L/min DVR AQUA: 280 L/min
- **Fan size:**
DVR TITANIA: 275-295 mm DVR HVLP: 285-315 mm
DVR CLEAR: 285-300 mm DVR AQUA: 285-310 mm

Code	Version
10142233	1.20XL [DVR TITANIA]
10142222	1.30 [DVR TITANIA]
10142227	1.30XL [DVR TITANIA]
10142229	1.40 [DVR TITANIA]
10142237	1.20 [DVR CLEAR]
10142235	1.20XL [DVR CLEAR]
10142224	1.30 [DVR CLEAR]
10142226	1.30XL [DVR CLEAR]
10142231	1.40 [DVR CLEAR]
10142221	1.20 [DVR AQUA]
10142234	1.20XL [DVR AQUA]
10142223	1.30 [DVR AQUA]
10142228	1.30XL [DVR AQUA]
10142225	1.30 [DVR HVLP]
10142238	1.30XL [DVR HVLP]
10142232	1.40 [DVR HVLP]



Code	Version
10142214	1.20XL [DVR TITANIA]
10142202	1.30 [DVR TITANIA]
10142207	1.30XL [DVR TITANIA]
10142210	1.40 [DVR TITANIA]
10142218	1.20 [DVR CLEAR]
10142216	1.20XL [DVR CLEAR]
10142204	1.30 [DVR CLEAR]
10142206	1.30XL [DVR CLEAR]
10142212	1.40 [DVR CLEAR]
10142201	1.20 [DVR AQUA]
10142215	1.20XL [DVR AQUA]
10142203	1.30 [DVR AQUA]
10142208	1.30XL [DVR AQUA]
10142205	1.30 [DVR HVLP]
10142209	1.30XL [DVR HVLP]
10142213	1.40 [DVR HVLP]

REGULATIONS / PATENTS / REGISTRIES

- All SAGOLA products comply with the strictest safety standards for the manufacturing of painting equipment. SAGOLA products comply with EC regulations and all the ATEX standards.
- To protect itself against copies and counterfeits, SAGOLA register the shape of its guns and, naturally, registers its trademark worldwide.

	Industrial model	Patent	4600	4600 Digital
Air inlet regulator	200100036			
Paint packing	200602549	7380321,5		
Digital gauge	559018			
Shape design	559042			
Aircaps with air deflector		08380132,4 200701164		
ATEX	(ex) II 2G Eex ia IIC T4 LOM 05ATEX2091 LOM 07ATEX9037			
ATEX	(Ex) II 2G X			

REGULATIONS

- CE
- EN 1953
- ATEX II 2 GX
- ATEX II 2 G Eex ia IIC T4


SAGOLA GUARANTEE

SAGOLA offers a **3-year guarantee** for its entire product range, that covers any design or manufacturing defect in its products. Any defect in its design will be repaired or replaced free of charge to the client.



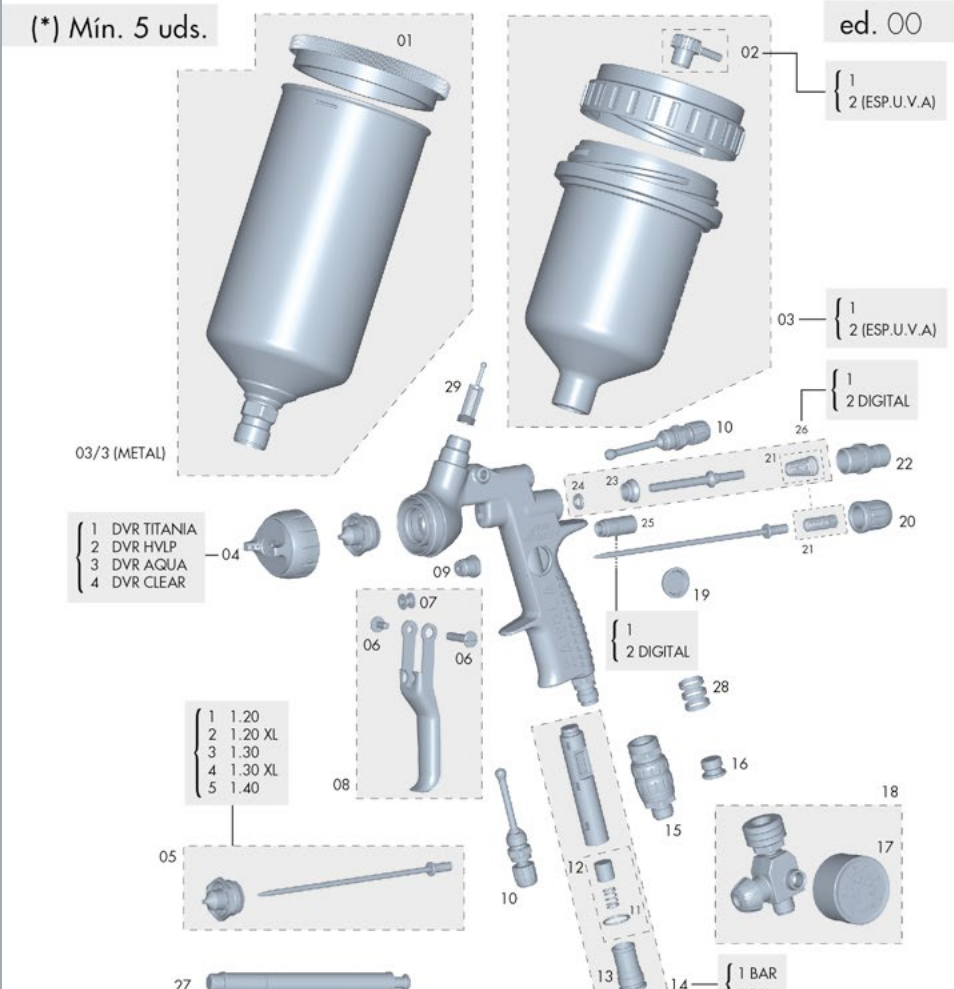
SAGOLA SPARE PARTS SERVICE GUARANTEE

SAGOLA is synonymous with **quality and service**. For this reason SAGOLA offers comprehensive guarantee of the service of components and spare parts for the perfect maintenance of all its products, even those sold over 10 years ago.



línea **4600 Xtreme**

(*) Mín. 5 uds. ed. 00



Nº	Cod.	U.	Nº	Cod.	U.	Nº	Cod.	U.	Nº	Cod.	U.	Nº	Cod.	U.
1	57111513	1	4/3	56418629	1	7	51910607	1	14/2	56418559	1	23	54110012	1
2/1	55712157	1	4/4	56418630	1	8	56418632	1	15	56418012	1	24	56418441	1
2/2	55712170	1	5/1	10011137	1	9	56411616	1	16	55712171	1	25/1	57212205	1
3/1	56418432	1	5/2	10011145	1	10	56415258	2	17	54550009	1	25/2	57212223	1
3/2	56418433	1	5/3	10011138	1	11	54250985	1	18	56418020	1	26/1	56418634	1
3/3	56418505	1	5/4	10011139	1	12	56418440	1	19	56410065	1	26/2	56418636	1
4/1	56418627	1	5/5	10011140	1	13	55710004	1	20	56415121	1	27	50210214	1
4/2	56418628	1	6	56418631	1	14/1	56418442	1	21	56418633	1	28	56418635	1
									22	56411623	1	29	56418438	1

- Este dibujo no es la lista de materiales
- This drawing is not the bill of materials
- Ce schéma n'est pas la liste de matériaux

- Diese Zeichnung ist nicht die Stückliste
- Este desenho não é a lista de materiais
- Questo disegno non è la distinta base

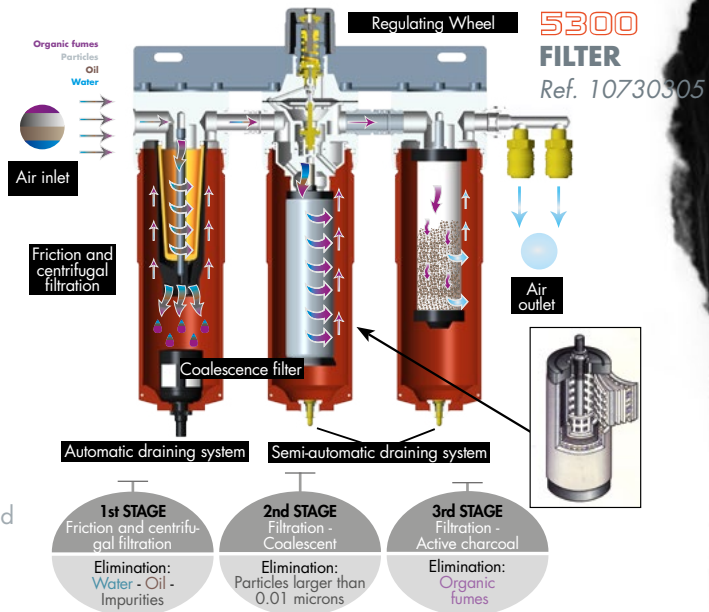
ACCESSORIES AND COMPLEMENTS

REMEMBER, always use original SAGOLA spare parts

in order to guarantee the proper operation of your painting equipment.

5000 SERIES AIR FILTERS.

Extremely smooth operation, maximum precision. Fast release, instant decrease in pressure. Air-assisted regulator. Constant and regular air supply. Aluminium bodies. CNC mechanisation. Totally robust. Unattended evacuation of liquids and impurities.



PACK6000X AIR HEATER

Temperature stability both in compressed air and in final painting elements, hose and spray gun. Reduces drying times. Electronic temperature control.

Ref. 10780102



5000

Ref. 10730204



5100

Ref. 10730202



5200

Ref. 10730304

COUPLINGS FOR DISPOSABLE DEPOSITS. "PPS" TYPES



- Ref. 55711607 C. for disp. deposits 3M PPS
- Ref. 55711617 C. for disp. deposits MIPA-CARWOX
- Ref. 55711609 C. for disp. deposits GERSON-NORTON
- Ref. 55711610 C. for disp. deposits FLEXI-CUP
- Ref. 55711619 C. for disp. deposits DEVILBISS-DEKUPS
- Ref. 55711621 C. for disp. deposits SATA RPS

TESTER 4600 HVLP

Pressure checker for HVLP aircaps (mod. 4600 Xtreme spray gun).



Ref. 10010051

FLOW REGULATOR WITH PRESSURE GAUGE RC1



Ref. 56418020

FACE MASK 4240. Breathing equipment including: face mask, belt, active coal filter, preset regulator, 10m of hose + safety sockets, 1.5 m of hose and outlet for spray gun.

Approval: 89/686/CEE (EPI)



Ref. 15830101

CLASSIC MP2 and MP300

Face mask with paint filter. For organic vapours and solvents.

Approval: FBC - 9086 A

Ref. 14810201 (MP2)

Ref. 14810301 (MP300)



Classic MP2

MP300



AIR HOSES. Antistatic and anti-adherent hose. Great flexibility and lightness. Clamping fittings for maximum safety. Inside diameter of 8mm, enough for any model of spray gun.

Ref. 56414024 (6 m.) /56414025 (11 m.)

QUICK COUPLING. Made of brass and steel, seal and safe closure. Available in safety and aluminum version (ultra-light). Handle made of composite. High flow. Maximum resistance to attrition and pull.



CLEANING KIT. Complet cleaning set.



Ref. 40000249

LUBRICANT GREASE.



Ref. 56418589



SAGOLA S.A. will refuse any responsibility for the damage of defects caused by spray guns with a similar appearance to the originals. These guns are imitations that **HAVE NOT BEEN MANUFACTURED BY SAGOLA, S.A.** The SAGOLA S.A. products are exclusively sold through our distributors, with spare parts and a 3-year worldwide guarantee against design and/or manufacturing defects.

SAGOLA S.A. has always displayed the quality of its products with pride, but lately, in view of its ever more demanding clients, it has obtained certifications that vouch for the guarantee of its know-how and its impeccable organisational quality.

**4600
KXREME**

SAGOLA, S.A.

Urartea, 6
01010 Vitoria - Gasteiz
(Álava) SPAIN
Tel.: (+34) 945 214 150
Fax: (+34) 945 214 149
sagola@sagola.com
www.sagola.com

SAGOLA MÉXICO

Calle 2. Nº 5C. Bodega 6
Parque Ind. Benito Juárez
76120 Santiago de Querétaro
(QUERÉTARO) MEXICO
Tel.: (+52) (442) 388 50 80
sagolamexico@sagolamexico.mx
www.sagolamexico.mx

